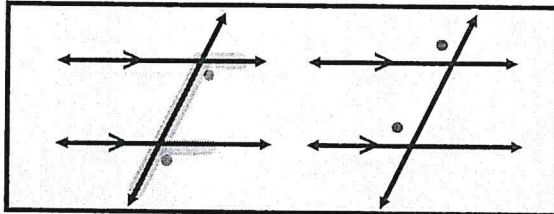


Parallel Line Properties

Corresponding Angles (F-Pattern)

- These two angles are equal

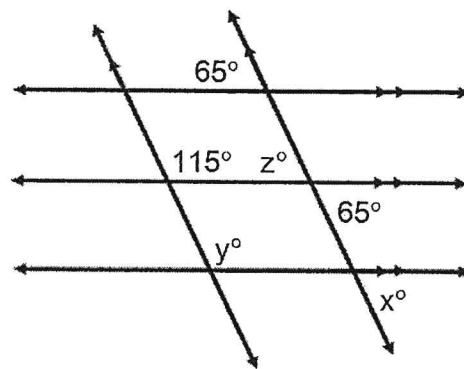
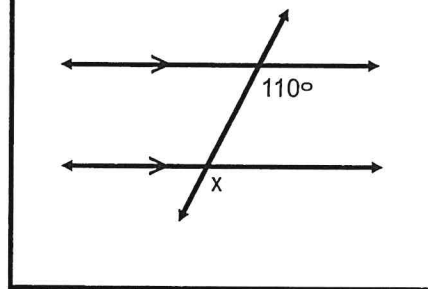


Your Turn:

Find the missing angles. Draw any patterns used and explain your thinking in words.

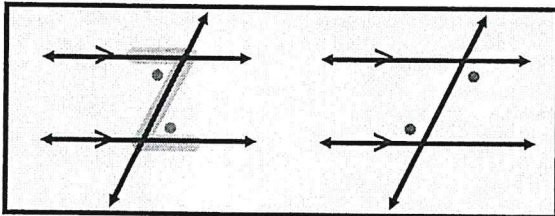
Your Turn:

19.



Alternate Angles (Z-Pattern)

- These two angles are equal

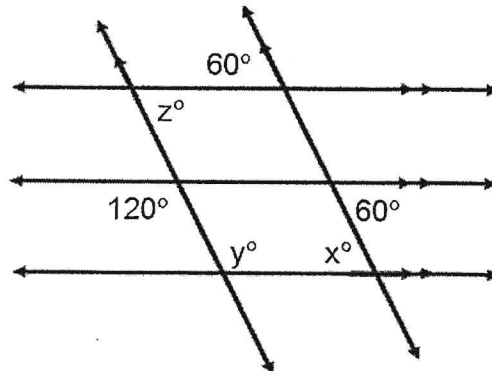
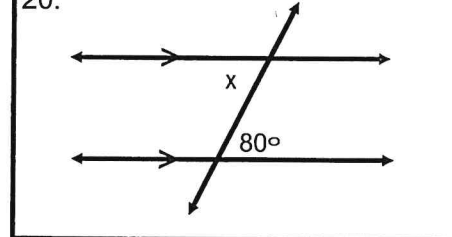


Your Turn:

Find the missing angles. Draw any patterns used and explain your thinking in words.

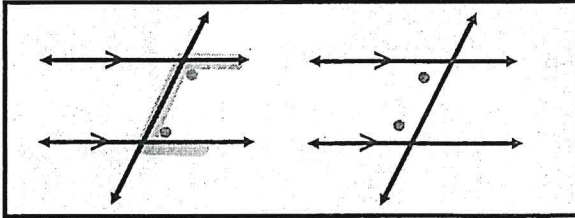
Your Turn:

20.



Co-Interior Angles (C-Pattern)

- These two angles add up to 180°

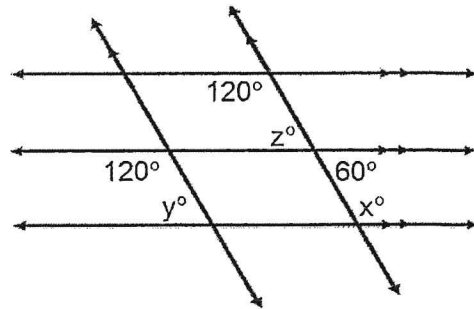
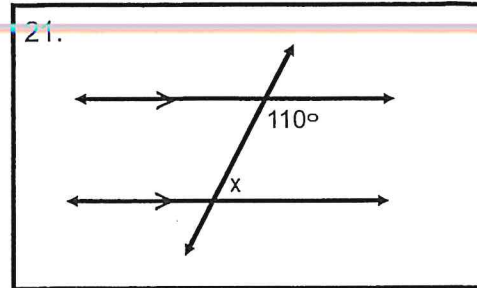


Your Turn:

Find the missing angles. Draw any patterns used and explain your thinking in words.

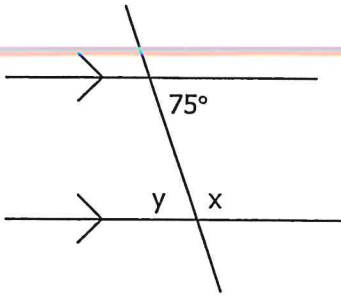
Your Turn:

21.

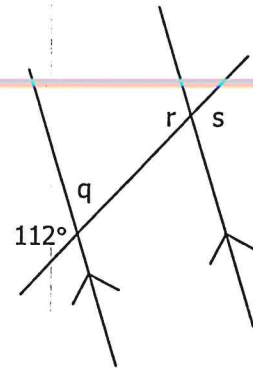


Mixing It Up:

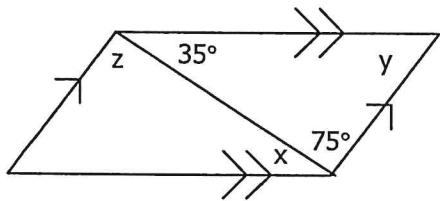
1)



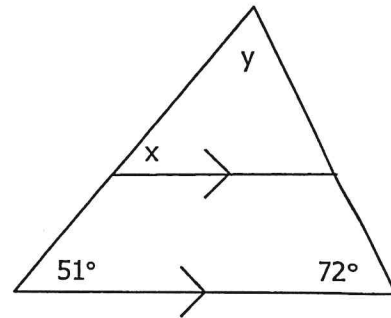
2)



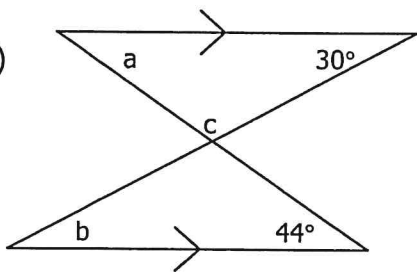
3)



4)



5)



6)

